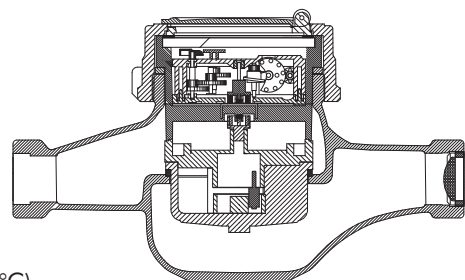


BAYLAN

WATER METERS

VK-8

Volumetric Water Meter



GENERAL

- MID Certified
- Volumetric principle assures very high sensitivity even at low flow
- Suitable for potable water
- Very good sensitivity in initial starting
- Special glass with high resistance to pressure and impact
- Electrostatic painted body made of corrosion resistant brass
- Protection against external magnetic fields
- Pulse output and AMR reading features are optional
- Suitable for cold water up to 50°C
- Almost no maintenance
- 360° rotating lid
- Service and spare parts available for 10 years
- 3 years of warranty
- IP68 Protected
- Environmental Classes

Climatic : -10°C/+55°C | Mechanic: M1/O | Elektromagnetic: E2

- $Q2 \leq Q \leq Q4$ Maximum Permissible Error

Class 2 Water Meters; $\% \pm 2$ (Water Temp. $\leq 30^\circ\text{C}$), $\% \pm 3$ (Water Temp. $> 30^\circ\text{C}$)

Class 1 Water Meters; $\% \pm 1$ (Water Temp. $\leq 30^\circ\text{C}$), $\% \pm 2$ (Water Temp. $> 30^\circ\text{C}$)

- $Q1 \leq Q < Q2$ Maximum Permissible Error

Class 2 Water Meters; $\% \pm 5$ | Class 1 Water Meters; $\% \pm 3$



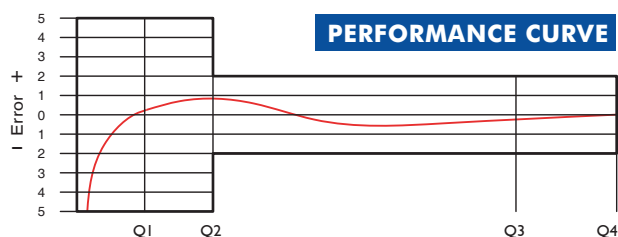
PERFORMANCE DATA

Overload Flowrate	Q4	m ³ /h	7,878
Permanent Flowrate	Q3	m ³ /h	6,3
Transitional Flowrate	Q2	m ³ /h	0,032
Minimum Flowrate	Q1	m ³ /h	0,020
Q3/Q1 (MI-001 OIML R49)	-		≤ 315
Mounting on the network	-		All Positions
Initial Flow	Qi	l/h	1
Maximum Working Pressure	bar		16
Maximum Working Temp.	°C		50
Pressure Loss Class	bar		0,63
Maximum Registration Cap.	m ³ /h		99999
Smallest Reading Resolution	m ³ /h		0,00005

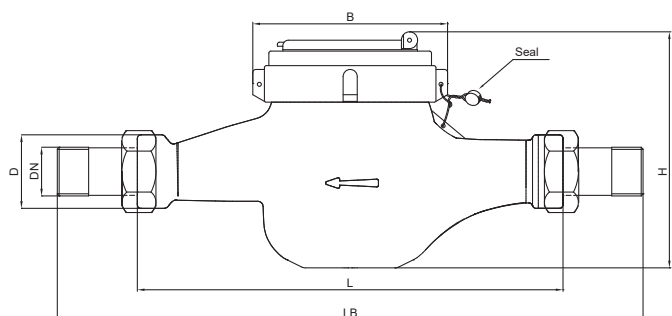
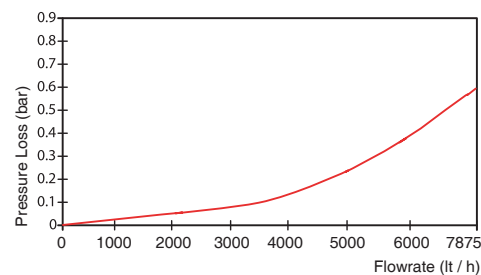
DIMENSIONS

Nominal diameter	DN	25	mm
Connecting diameter	D	G1 1/4	B
Total overall meter height	H	144,7	mm
Axis height	h	53,7	mm
Length	L	260	mm
Width	B	112,3	mm
Length with connections	LB	380	mm
Unit weight		2,40	kg
Package Weight (without connect)		13,00	kg
Package Weight (with connect)		15,20	kg
Quantity per package		5	pcs
Package dimensions		30x33x35,5	cm

PERFORMANCE CURVE



PRESSURE LOSS CURVE



"Due to continuous development of our products, we reserve the right to modify our product design or construction without prior notice."