

BAYLAN

WATER METERS

VK-4P

Volumetric Water Meter



GENERAL

- MID Certified
- Volumetric principle assures very high sensitivity even at low flow
- Suitable for potable water • Very good sensitivity in initial starting
- Special glass with high resistance to pressure and impact
- Composite body with high resistance to pressure and impacts
- Protection against external magnetic fields
- Vacuumed mechanism • Available for optical reading
- Wiper on the glass is optional
- Pulse output and AMR reading features are optional
- 3 years of warranty • Non return valve
- Suitable for cold water up to 50°C
- Almost no maintenance • 360° rotating lid
- Service and spare parts available for 10 years
- Brass or composite end connection options
- IP68 Protected
- Environmental Classes

Climatic : -10°C/+55°C | Mechanic: M1/O | Elektromagnetic: E2

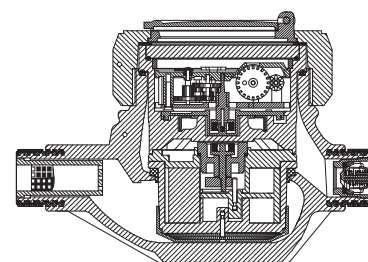
• $Q2 \leq Q \leq Q4$ Maximum Permissible Error

Class 2 Water Meters; $\% \pm 2$ (Water Temp. $\leq 30^\circ\text{C}$), $\% \pm 3$ (Water Temp. $> 30^\circ\text{C}$)

Class 1 Water Meters; $\% \pm 1$ (Water Temp. $\leq 30^\circ\text{C}$), $\% \pm 2$ (Water Temp. $> 30^\circ\text{C}$)

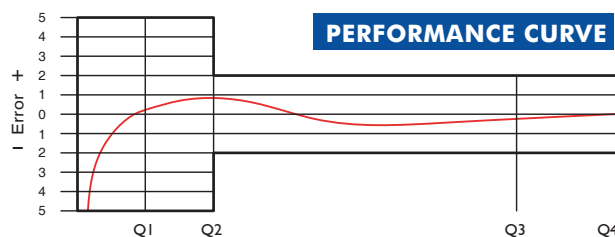
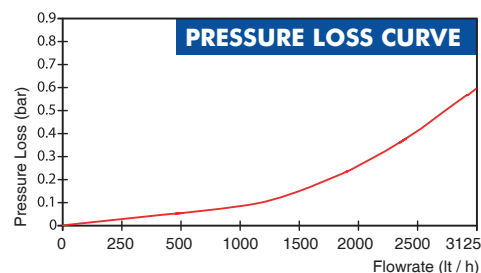
• $Q1 \leq Q < Q2$ Maximum Permissible Error

Class 2 Water Meters; $\% \pm 5$ | Class 1 Water Meters; $\% \pm 3$



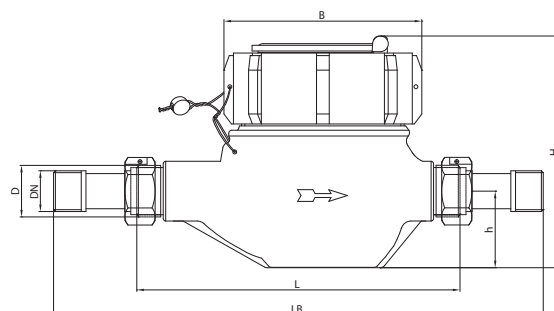
PERFORMANCE DATA

Overload Flowrate	Q4	m ³ /h	3,125
Permanent Flowrate	Q3	m ³ /h	2,500
Transitional Flowrate	Q2	m ³ /h	0,008
Minimum Flowrate	Q1	m ³ /h	0,005
Q3/Q1 (MI-001 OIML R49)	-		≤ 500
Maximum Registration Capacity	m ³		9999 / 99999 / 99999,99 / 99999,999
Mounting on the network	-		All Positions
Initial Flow	Qi	l/h	1
Maximum Working Pressure	bar		16
Maximum Working Temperature	°C		50
Pressure Loss Class	bar		0,63
Smallest Reading Resolution	m ³		0,00005
Class	-		Class 1 / Class 2



DIMENSIONS

Nominal diameter	DN	15	mm
Connecting diameter	D	G 3/4	B
Total overall meter height	H	114,4	mm
Axis height	h	37,6	mm
Width	B	101	mm
Length	L	165 170	mm
Length with connections	LB	245 250	mm
Unit weight		0,68	kg
Package Weight (without connections)		7,74	kg
Package Weight (with connections)		9,34	kg
Quantity per package		10	pcs
Package dimensions		27x48x20	cm



"Due to continuous development of our products, we reserve the right to modify our product design or construction without prior notice."