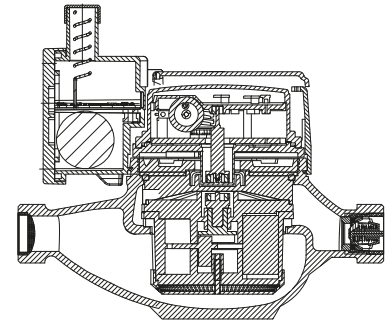


BAYLAN

WATER METERS

VK-4 RF

Volumetric Water Meter



GENERAL

LoRa® & wM-Bus Smart Water Meter

- Compact design; meter and communication module in the same housing
- Integrated LoRa® module-chipset allows both LoRa® and FSK modulation
- Supports LoRaWAN® - Class A Protocol
- Supports Wireless MBUS Protocol
- Selectable Frequency Band EU 863-870 Mhz
- MID Certified • IP68 Protected
- Vacuumed/air-free mechanism suitable for tropical installation conditions
- Electrostatic epoxy painted body made of corrosion-resistant brass alloy
- Volumetric principle assures very high sensitivity even at low flow
- Very good sensitivity in initial starting
- Suitable for potable water and cold water up to 50°C
- Special glass with high resistance to pressure and impact
- Star wheels indicator ready for optical pulse read-out
- 3 years of warranty • Integrated strainer and non-return valve
- Almost no maintenance • Service and spare parts available for 10 years
- Exchangeable 3.6V Lithium Battery • Up to 16 years battery life*
- Environmental Classes

Climatic : -10°C/+55°C | Mechanic: M1/O | Elektromagnetic: E2

• Q2 ≤ Q ≤ Q4 Maximum Permissible Error

Class 2 Water Meters; % ± 2 (Water Temp. ≤ 30°C), % ± 3 (Water Temp. > 30°C)

Class 1 Water Meters; % ± 1 (Water Temp. ≤ 30°C), % ± 2 (Water Temp. > 30°C)

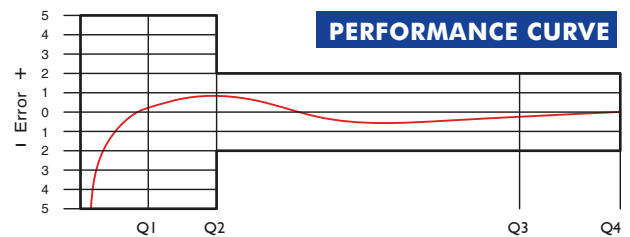
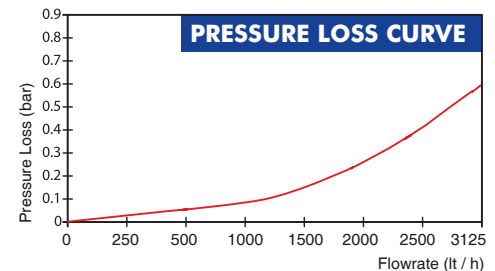
• Q1 ≤ Q < Q2 Maximum Permissible Error

Class 2 Water Meters; % ± 5 | Class 1 Water Meters; % ± 3



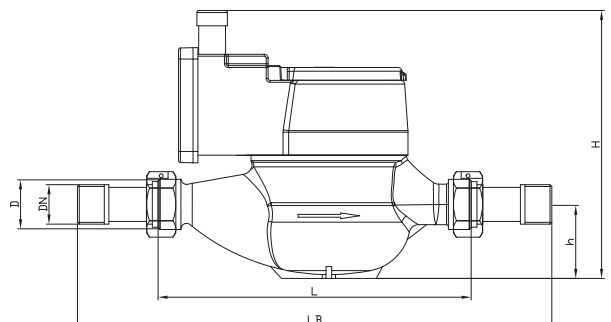
PERFORMANCE DATA

Overload Flowrate	Q4	m³/h	3,125
Permanent Flowrate	Q3	m³/h	2,500
Transitional Flowrate	Q2	m³/h	0,008
Minimum Flowrate	Q1	m³/h	0,005
Q3/Q1 (MI-001 OIML R49)	-		≤ 500
Maximum Registration Capacity	m³		9999 / 99999 / 99999,99 / 99999,999
Mounting on the network	-		All Positions
Initial Flow	Qi	l/h	1
Maximum Working Pressure	bar		16
Maximum Working Temperature	°C		50
Pressure Loss Class	bar		0,63
Smallest Reading Resolution	m³		0,00005
Class	-		Class 1 / Class 2



DIMENSIONS

Nominal diameter	DN	15	mm
Connecting diameter	D	G 3/4	B
Total overall meter height	H	141,2	mm
Axis height	h	39	mm
Width	B	86	mm
Length	L	165	mm
Length with connections	LB	245	mm
Unit weight		1,29	kg
Package Weight (without connections)		7,26	kg
Package Weight (with connections)		8,06	kg
Quantity per package		5	pcs
Package dimensions		19x54x23	cm



* Standard conditions of use and temperature. Theoretical life, with no guarantee.

"Due to continuous development of our products, we reserve the right to modify our product design or construction without prior notice."