

# BAYLAN

WATER METERS

## UM1-B-RF (LoRa) Automatic Meter Reading Reading Module



### GENERAL

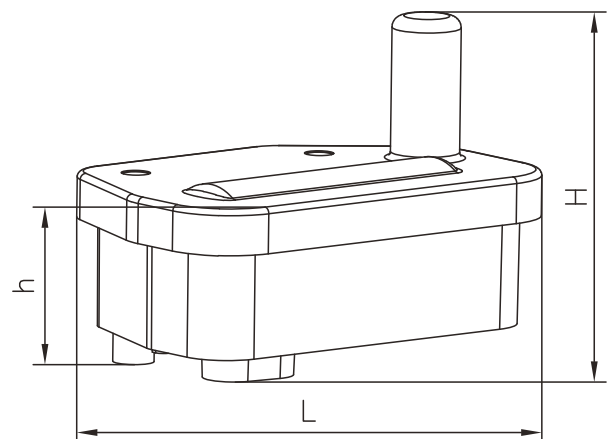
- Integrated Lora module-chipset allows both LORA and FSK modulation
- Supports LoRaWAN™ - Class A Protocol
- Supports Wireless MBUS T1 Protocol
- Selectable Frequency Band EU 863-870 Mhz
- ETSI EN 300 220-2 V3.2.1 (2018-06) compliant
- Power Supply 3.6V Lithium Battery
- Automatic meter reading, no need to enter the house
- With inductive sensor full protection against magnetic
- Great saving from time, fast and reliable solution
- Detects illegal interventions and records
- Electronic flow detection
- Real time clock
- Easy assembly • Internal battery
- By creating databases, you can easily control consumption values
- Almost no maintenance • 3 years of warranty
- 10 years of spare parts and service

### PERFORMANCE DATA

	LoRaWAN	Wireless MBus
Working Frequency	868 MHz	868 MHz
Communication Speed	0.3-10 Kbps	100 Kbps
Modulation	LoRa	FSK
Protocol	LoRaWAN	wM-Bus T1
Effective Distance (outside)	3000 m	600 m
Communication Type	Two Way	One Way
Band width	125 kHz	100 kHz
Transmitter output power	14 dBm	14 dBm
Local network capacity	+3000	250
Energy	3.6V DC lithium battery	
Battery Life	Up to 15 years*	
Working Temperature	-20/+70°C	
Weight	180 Gr.	
Protection Class	IP68	

### DIMENSIONS

Total Height	H	60	mm
Axis Height	h	36	mm
Length	L	78	mm



\* Standard conditions of use and temperature. Theoretical life, with no guarantee.

"Due to continuous development of our products, we reserve the right to modify our product design or construction without prior notice."