

BAYLAN
WATER METERS

UM-1-B-RF Automatic Meter Reading Module



GENERAL

- Automatic meter reading with RF (Radio Frequency)
- Works in AT approved 868 Mhz ISM/SRD frequency
- Supports Wireless MBUS T1 Protocol
- ETSI EN 300 220-2 V3.2.1 (2018-06) compliant
- Automatic meter reading, no need to enter the house
- To secure water authority from any risk while reading customers water consumption
- Great saving from time, fast and reliable solution
- Detects illegal interventions and records
- With inductive sensor full protection against magnetic
- Electronic flow detection
- To get past data with optical interface
- Real time clock
- Easy assembly • Internal battery
- By creating databases, you can easily control consumption values
- Almost no maintenance • 3 years of warranty
- 10 years of spare parts and service

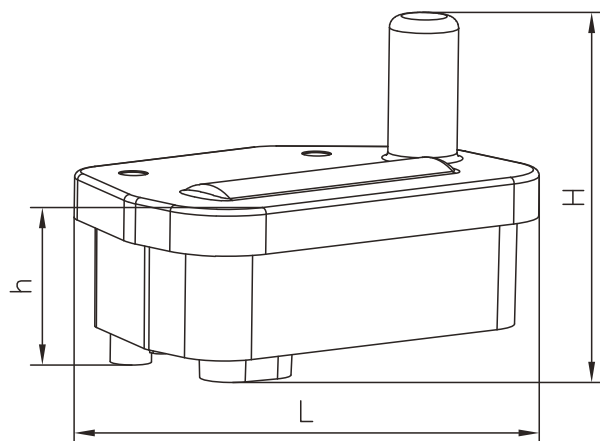


PERFORMANCE DATA

Working Frequency	: 868,03 Mhz
Modulation	: GFSK
Transmitter output power	: Adjustable up to +14dB
Communication Speed	: 1,2-250 kbps
Communication Type	: One way (transmitter)
Effective Distance (outside)	: Up to 700m
Energy	: 3.6V DC Lithium battery
Battery life	: Up to 15 years*
Working Temperature	: -20/+70°C
Weight	: 80 Gr.
Protection class	: IP68

DIMENSIONS

Total Height	H	60	mm
Axis Height	h	36	mm
Length	L	78	mm



* Standard conditions of use and temperature. Theoretical life, with no guarantee.

"Due to continuous development of our products, we reserve the right to modify our product design or construction without prior notice."