

BAYLAN

WATER METERS

TY-5

Multi jet Wet type Water Meter



GENERAL

- MID Certified
- Multi jet working principle assures a long service time
- Available for optical reading
- Pulse output and AMR reading features are optional
- Low pressure loss, high sensitivity at initial flow
- Suitable for potable water
- Special glass with high resistance to pressure and impact
- 360° rotating lid • Double filter • Non return valve
- Electrostatic painted body made of corrosion resistant brass
- 3 years of warranty • Almost no maintenance
- Suitable for cold water up to 50°C
- Service and spare parts available for 10 years
- Environmental Classes

Climatic : -10°C/+55°C | Mechanic: M1/O | Elektromagnetic: E2

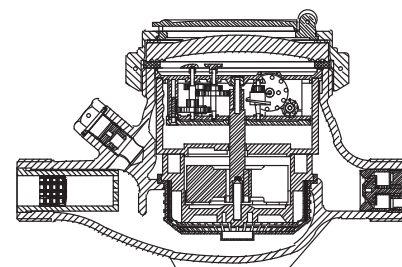
- Q2 ≤ Q ≤ Q4 Maximum Permissible Error

Class 2 Water Meters; % ± 2 (Water Temp. ≤ 30°C), % ± 3 (Water Temp. > 30°C)

Class 1 Water Meters; % ± 1 (Water Temp. ≤ 30°C), % ± 2 (Water Temp. > 30°C)

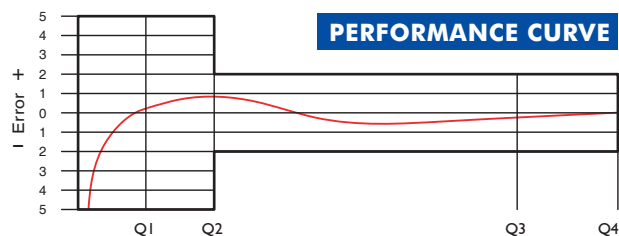
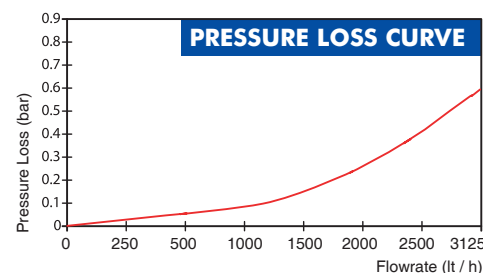
- Q1 ≤ Q < Q2 Maximum Permissible Error

Class 2 Water Meters; % ± 5 | Class 1 Water Meters; % ± 3



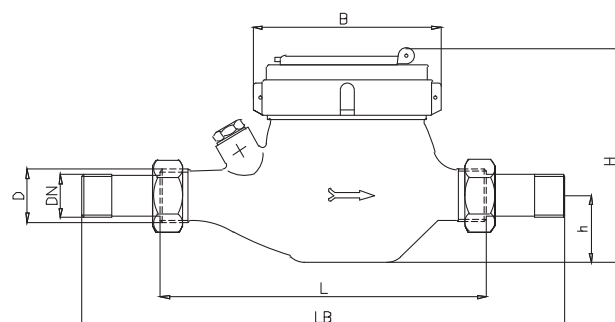
PERFORMANCE DATA

Overload Flowrate	Q4	m ³ /h	3,125	
Permanent Flowrate	Q3	m ³ /h	2,5	
Transitional Flowrate	Q2	m ³ /h	0,016	0,05
Minimum Flowrate	Q1	m ³ /h	0,01	0,03125
Q3/Q1 (MI-001 OIML R49)	-		≤250	≤80
Mounting on the network	-		H	V
Maximum Registration Capacity	m ³	9999 / 99999 / 99999,99 / 99999,999		
Maximum Working Pressure	bar	16		
Maximum Working Temperature	°C	50		
Pressure Loss Class	bar	0,63		
Initial Flow	Qi	l/h	6	
Smallest Reading Resolution	m ³	0,00005		
Class	-	Class 1/Class 2		
Unit weight	kg	1,22		
Package Weight (without connect)	kg	12,90		
Package Weight (with connect)	kg	14,50		
Quantity per package	-	10		
Package dimensions	cm	27x48,5x20		



DIMENSIONS

Nominal diameter	DN	15	mm
Connecting diameter	D	G 3/4	B
Total overall meter height	H	109	mm
Axis height	h	35	mm
Width	B	97	mm
Length	L	165 / 170	mm
Length with connections	LB	245 / 250	mm



"Due to continuous development of our products, we reserve the right to modify our product design or construction without prior notice."