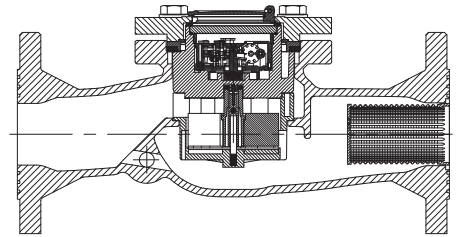


BAYLAN

WATER METERS

TK-7F

Multi jet Dry type Water Meter



GENERAL

- MID Certified
- Reading with reed sensor
- 1 pulse output at 1/10/100 lt
- Multi jet working principle assures a long service time
- Suitable for potable water
- Low pressure loss, high sensitivity at initial flow
- Vacuumed mechanism • 360° rotating lid
- Electrostatic painted body made of GG25
- Available for optical reading
- 3 years of warranty • Non return valve
- Suitable for cold water up to 50°C
- Almost no maintenance
- Service and spare parts available for 10 years
- IP68 Protected
- Environmental Classes

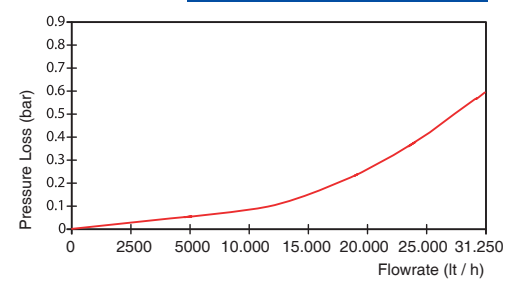
Climatic : -10°C/+55°C | Mechanic: M1/O | Elektromagnetic: E2

- $Q2 \leq Q \leq Q4$ Maximum Permissible Error
Class 2 Water Meters; $\% \pm 2$ (Water Temp. $\leq 30^\circ\text{C}$), $\% \pm 3$ (Water Temp. $> 30^\circ\text{C}$)
- $Q1 \leq Q < Q2$ Maximum Permissible Error
Class 1 Water Meters; $\% \pm 1$ (Water Temp. $\leq 30^\circ\text{C}$), $\% \pm 2$ (Water Temp. $> 30^\circ\text{C}$)
- $Q1 \leq Q < Q2$ Maximum Permissible Error
Class 2 Water Meters; $\% \pm 5$ | Class 1 Water Meters; $\% \pm 3$

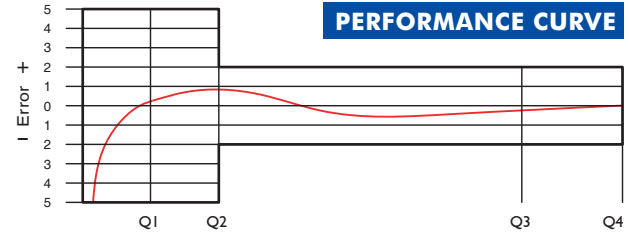
PERFORMANCE DATA

Overload Flowrate	Q4	m ³ /h	31,25
Permanent Flowrate	Q3	m ³ /h	25
Transitional Flowrate	Q2	m ³ /h	0,200
Minimum Flowrate	Q1	m ³ /h	0,125
Q3/Q1 (MI-001 OIML R49)			≤ 200
Mounting on the network			Horizontal
Maximum Registration Capacity			99999 / 99999,99 / 99999,999
Initial Flowrate	Qi	l/h	20
Maximum Working Pressure		bar	16
Maximum Working Temperature		°C	50
Pressure Loss Class		bar	0,63
Smallest Reading Resolution		m ³	0,00005
Class			Class 1 / Class 2
Quantity per package			1

PRESSURE LOSS CURVE

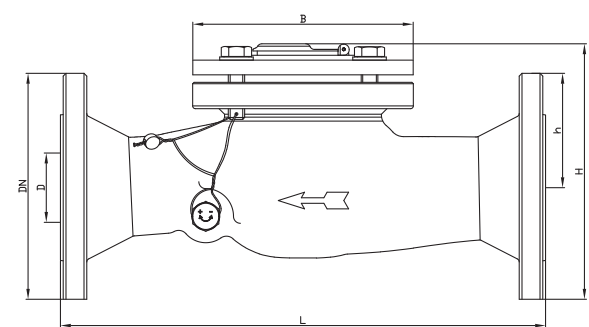


PERFORMANCE CURVE



DIMENSIONS

Nominal diameter	DN	50	mm
Connecting diameter	D	163 (4xM16)	B
Total overall meter height	H	184,3	mm
Axis height	h	82,5	mm
Length	L	350	mm
Width	B	159	mm
Unit weight		13,13	kg
Package Weight (without connect)		13,55	kg
Package Weight (with connect)		17,92	kg
Package dimensions		20x37x20	cm



"Due to continuous development of our products, we reserve the right to modify our product design or construction without prior notice."