

# BAYLAN

## WATER METERS

### TK-4

## Multi jet Dry type Water Meter



#### GENERAL

- MID Certified
- Multi jet working principle assures a long service time
- Low pressure loss, high sensitivity at initial flow
- 360° rotating lid • Non return valve • Suitable for potable water
- Special glass with high resistance to pressure and impact
- Electrostatic painted body made of corrosion resistant brass
- Protection against external magnetic fields
- Available for optical reading
- Pulse output and AMR reading features are optional
- 3 years of warranty • Almost no maintenance
- Suitable for cold water up to 50°C
- Stainless steel register cup is optional
- Service and spare parts available for 10 years
- IP68 Protected
- Environmental Classes

Climatic : -10°C/+55°C | Mechanic: M1/O | Elektromagnetic: E2

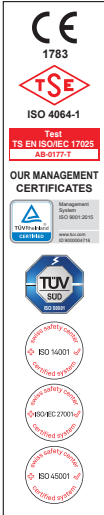
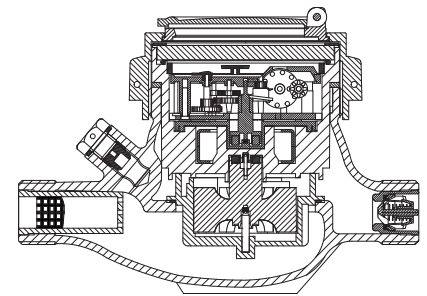
•  $Q_2 \leq Q \leq Q_4$  Maximum Permissible Error

Class 2 Water Meters;  $\% \pm 2$  (Water Temp.  $\leq 30^\circ\text{C}$ ),  $\% \pm 3$  (Water Temp.  $> 30^\circ\text{C}$ )

Class 1 Water Meters;  $\% \pm 1$  (Water Temp.  $\leq 30^\circ\text{C}$ ),  $\% \pm 2$  (Water Temp.  $> 30^\circ\text{C}$ )

•  $Q_1 \leq Q < Q_2$  Maximum Permissible Error

Class 2 Water Meters;  $\% \pm 5$  | Class 1 Water Meters;  $\% \pm 3$



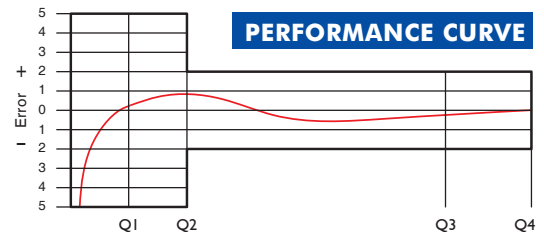
#### PERFORMANCE DATA

Overload Flowrate	Q4	m <sup>3</sup> /h	3,125
Permanent Flowrate	Q3	m <sup>3</sup> /h	2,5
Transitional Flowrate	Q2	m <sup>3</sup> /h	0,016
Minimum Flowrate	Q1	m <sup>3</sup> /h	0,01
Q3/Q1 (MI-001 OIML R49)	-		$\leq 250$
Mounting on the network	-		Horizontal
Initial Flow	Qi	l/h	5
Maximum Working Pressure	bar		16
Maximum Working Temperature	°C		50
Pressure Loss Class	bar		0,63
Maximum Registration Capacity	m <sup>3</sup> /h		9999/999999/999999,99/999999,999
Smallest Reading Resolution	m <sup>3</sup> /h		0,00005
Class			Class 1 / Class 2
Quantity per package	-		10

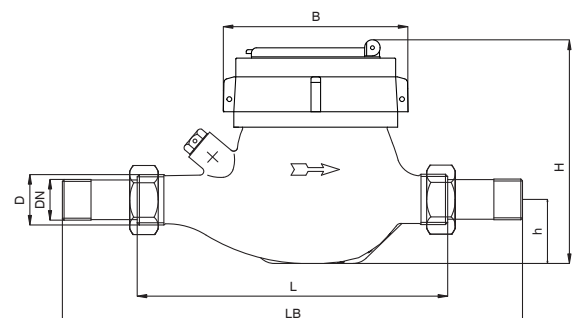
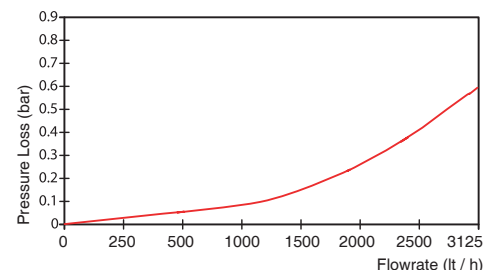
#### DIMENSIONS

Nominal diameter	DN	15	mm
Connecting diameter	D	G 3/4	B
Total overall meter height	H	114	mm
Axis height	h	35	mm
Length	L	165	mm
Width	B	100	mm
Length with connections	LB	245	mm
Unit weight		1,27	kg
Package Weight (without connect)		13,66	kg
Package Weight (with connect)		15,12	kg
Package dimensions		27x48x20	cm

#### PERFORMANCE CURVE



#### PRESSURE LOSS CURVE



"Due to continuous development of our products, we reserve the right to modify our product design or construction without prior notice."