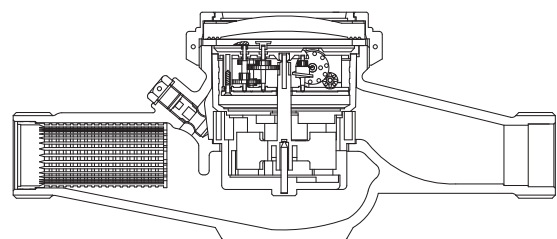


# BAYLAN

## WATER METERS

### TK-3S

## Multi jet Dry type Water Meter (Hot Water)



### GENERAL

- MID Certified
- Multi jet working principle assures a long service time
- Low pressure loss, high sensitivity at initial flow
- Special glass with high resistance to pressure and impact
- Electrostatic painted body made of corrosion resistant brass
- Protection against external magnetic fields
- Available for optical reading
- Wiper on the glass is optional
- Vacuumed mechanism
- Pulse output and AMR reading features are optional
- Stainless steel register cup is optional
- Suitable for hot water up to 90°C • 3 years of warranty
- Almost no maintenance • 360° rotating lid
- Service and spare parts available for 10 years
- IP68 Protected

Max Permissible Error in Upper Flow Rates  $Q2 \leq Q \leq Q4$ :  
 $\pm 2\%$  ( $\leq 30^\circ\text{C}$ ),  $\pm 3\%$  ( $> 30^\circ\text{C}$ )

Max Permissible Error in Lower Flow Rates  $Q1 \leq Q \leq Q2$ :  $\pm 5\%$

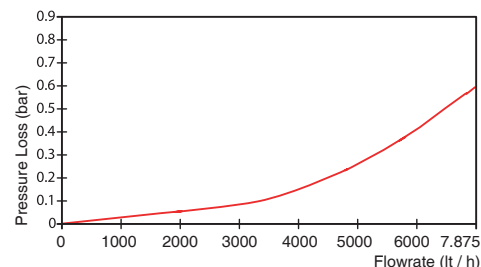
Environmental Classes= Climatic :  $-10^\circ\text{C}/+55^\circ\text{C}$  - Mechanic: M1/O - Electromagnetic: E2



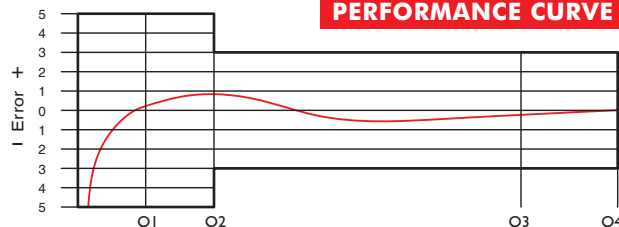
### PERFORMANCE DATA

Overload Flowrate	Q4	m <sup>3</sup> /h	7,875
Permanent Flowrate	Q3	m <sup>3</sup> /h	6,3
Transitional Flowrate	Q2	m <sup>3</sup> /h	0,1008
Minimum Flowrate	Q1	m <sup>3</sup> /h	0,0630
Q3/Q1 (MI-001 OIML R49)	-		100
Mounting on the network	-		H
Maximum Registration Capacity	m <sup>3</sup>		9999 / 99999 / 99999,99 / 99999,999
Initial Flow	Qi	l/h	18
Maximum Working Pressure	bar		16
Maximum Working Temperature	°C		90
Pressure Loss Class	bar		Max. 0,6
Smallest Reading Resolution	m <sup>3</sup>		0,00005
Class	-		Class 1 / Class 2
Quantity per package	-		10

### PRESSURE LOSS CURVE

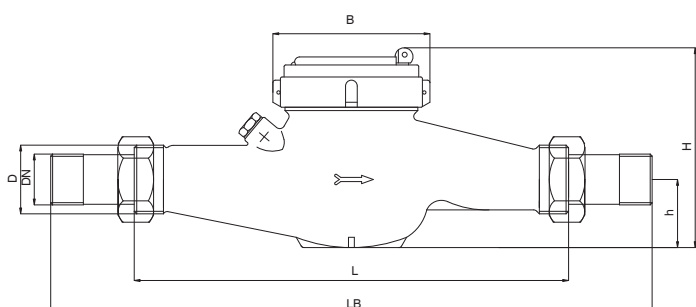


### PERFORMANCE CURVE



### DIMENSIONS

Nominal diameter	DN	25	mm
Connecting diameter	D	G11/4	B
Total overall meter height	H	124	mm
Axis height	h	43,5	mm
Width	B	94	mm
Length	L	260	mm
Length with connections	LB	380	mm
Unit weight		1.92	kg
Package Weight (without connect)		20.20	kg
Package Weight (with connect)		24.60	kg
Package dimensions		26.5x52x30	cm



"Due to continuous development of our products, we reserve the right to modify our product design or construction without prior notice."