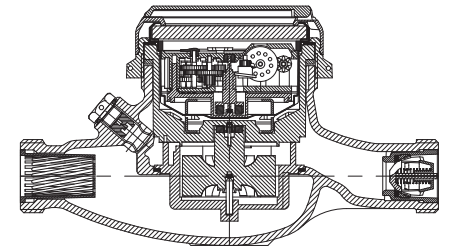


BAYLAN

WATER METERS

TK-2

Multi jet Dry type Water Meter



GENERAL

- MID Certified
- Multi jet working principle assures a long service time
- Suitable for potable water
- Low pressure loss, high sensitivity at initial flow
- Special glass with high resistance to pressure and impact
- Electrostatic painted body made of corrosion resistant brass
- Protection against external magnetic fields
- Available for optical reading • 359° rotating dial
- Pulse output and AMR reading features are optional
- 3 years of warranty • Non return valve
- Suitable for cold water up to 50°C
- Almost no maintenance • Vacuumed mechanism
- With stainless steel register cup
- Service and spare parts available for 10 years
- IP68 Protected
- Environmental Classes

Climatic : -10°C/+55°C | Mechanic: M1/O | Elektromagnetic: E2

• Q2≤Q≤Q4 Maximum Permissible Error

Class 2 Water Meters; %±2 (Water Temp.≤30°C), %±3 (Water Temp.>30°C)

Class 1 Water Meters; %±1 (Water Temp.≤30°C), %±2 (Water Temp.>30°C)

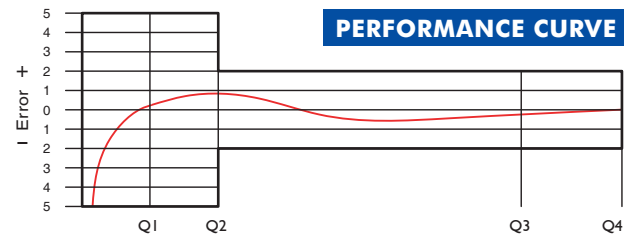
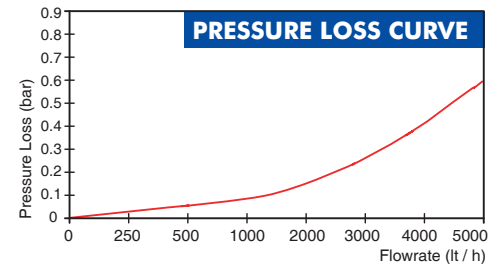
• Q1≤Q<Q2 Maximum Permissible Error

Class 2 Water Meters; % ± 5 | Class 1 Water Meters; % ± 3



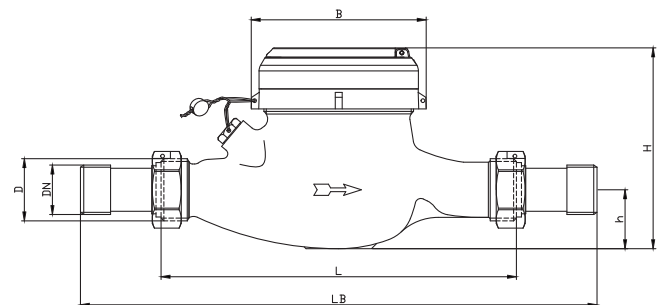
PERFORMANCE DATA

Overload Flowrate	Q4	m ³ /h	5
Permanent Flowrate	Q3	m ³ /h	4
Transitional Flowrate	Q2	m ³ /h	0,032
Minimum Flowrate	Q1	m ³ /h	0,02
Q3/Q1 (MI-001 OIML R49)			≤200
Mounting on the network			Horizontal
Maximum Registration Capacity			9999 / 99999 / 99999,99 / 99999,999
Initial Flowrate	Qi	l/h	6
Maximum Working Pressure	bar		16
Maximum Working Temperature	°C		50
Pressure Loss Class	bar		0,63
Smallest Reading Resolution	m ³		0,00005
Class			Class 1 / Class 2
Quantity per package			10



DIMENSIONS

Nominal diameter	DN	20	mm
Connecting diameter	D	G 1	B
Total overall meter height	H	110	mm
Axis height	h	34	mm
Length	L	190	mm
Width	B	95	mm
Length with connections	LB	270	mm
Unit weight		1,22	kg
Package Weight (without connect)		13,01	kg
Package Weight (with connect)		14,91	kg
Package dimensions		25x46x22	cm



"Due to continuous development of our products, we reserve the right to modify our product design or construction without prior notice."