

# BAYLAN

## WATER METERS

### TK-1P

## Multi jet Dry type Water Meter



#### GENERAL

- MID Certified
- Multi jet working principle assures a long service time
- Low pressure loss, high sensitivity at initial flow
- Special glass with high resistance to pressure and impact
- Composite body with high resistance to pressure and impacts
- Protection against external magnetic fields
- Available for optical reading
- Pulse output and AMR reading features are optional
- 3 years of warranty • 360° rotating lid
- Non return valve • Suitable for potable water
- Suitable for cold water up to 50°C • Almost no maintenance
- Service and spare parts available for 10 years
- Stainless steel register cup is optional
- Also available without brass inserts
- Brass or composite end connection options
- IP68 Protected
- Environmental Classes

Climatic : -10°C/+55°C | Mechanic: M1/O | Elektromagnetic: E2

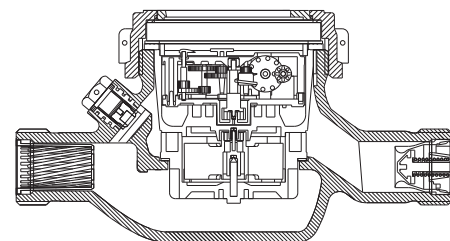
- $Q2 \leq Q \leq Q4$  Maximum Permissible Error

Class 2 Water Meters;  $\% \pm 2$  (Water Temp.  $\leq 30^\circ\text{C}$ ),  $\% \pm 3$  (Water Temp.  $> 30^\circ\text{C}$ )

Class 1 Water Meters;  $\% \pm 1$  (Water Temp.  $\leq 30^\circ\text{C}$ ),  $\% \pm 2$  (Water Temp.  $> 30^\circ\text{C}$ )

- $Q1 \leq Q < Q2$  Maximum Permissible Error

Class 2 Water Meters;  $\% \pm 5$  | Class 1 Water Meters;  $\% \pm 3$

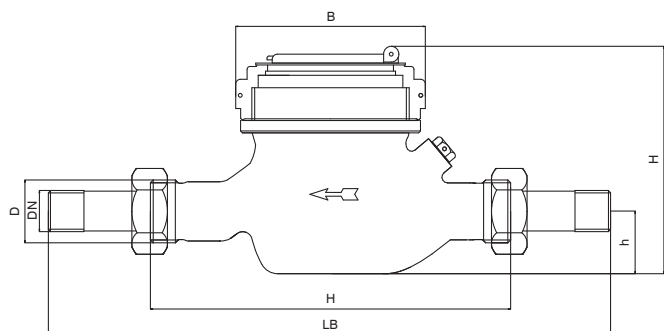
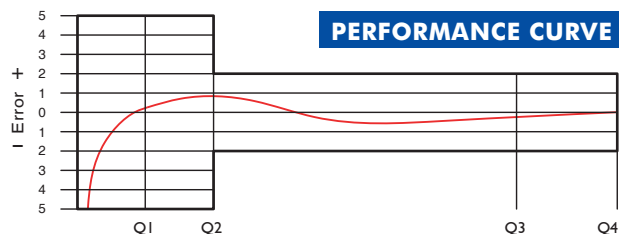
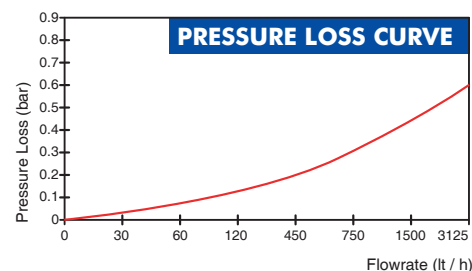


#### PERFORMANCE DATA

Overload Flowrate	Q4	m <sup>3</sup> /h	3,125
Permanent Flowrate	Q3	m <sup>3</sup> /h	2,5
Transitional Flowrate	Q2	m <sup>3</sup> /h	0,020
Minimum Flowrate	Q1	m <sup>3</sup> /h	0,0125
Q3/Q1 (MI-001 OIML R49)			$\leq 200$
Mounting on the network			Horizontal
Maximum Registration Capacity			9999 / 99999 / 99999,99 / 99999,999
Initial Flowrate	Qi	l/h	6
Maximum Working Pressure	bar		16
Maximum Working Temperature	°C		50
Pressure Loss Class	bar		0,63
Smallest Reading Resolution	m <sup>3</sup>		0,00005
Class			Class 1 / Class 2
Quantity per package			10

#### DIMENSIONS

Nominal diameter	DN	20	mm
Connecting diameter	D	G 1	B
Total overall meter height	H	119,6	mm
Axis height	h	37,4	mm
Length	L	190	mm
Width	B	101	mm
Length with connections	LB	270	mm
Unit weight		0,68	kg
Package Weight (without connect)		7,50	kg
Package Weight (with connect)		9,40	kg
Package dimensions		27x52x22	cm



"Due to continuous development of our products, we reserve the right to modify our product design or construction without prior notice."