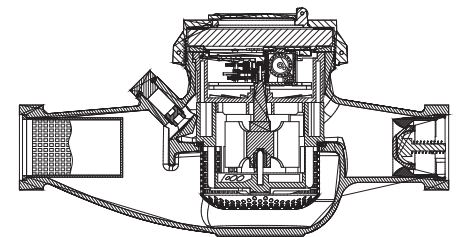


BAYLAN

WATER METERS

SD-9

Multi jet Semi-Dry type Water Meter



GENERAL

- MID Certified
- Multi jet working principle assures a long service time
- Low pressure loss, high sensitivity at initial flow
- Suitable for potable water
- Propylene glycol protected register
- Special glass with high resistance to pressure and impact
- Double filter • Non return valve
- Electrostatic painted body made of corrosion resistant brass
- Available for optical reading
- AMR reading features are optional
- 3 years of warranty • Almost no maintenance
- Suitable for cold water up to 50°C
- Service and spare parts available for 10 years
- IP68 Protected
- Environmental Classes

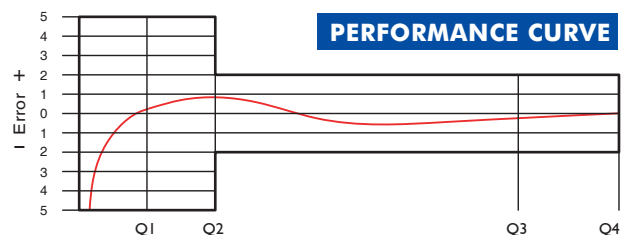
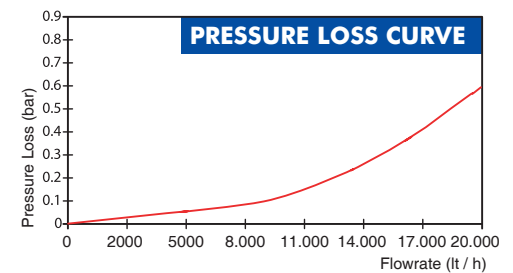
Climatic : -10°C/+55°C | Mechanic: M1/O | Elektromagnetic: E2

- Q2≤Q≤Q4 Maximum Permissible Error
- Class 2 Water Meters; %±2 (Water Temp.≤30°C), %±3 (Water Temp.>30°C)
- Class 1 Water Meters; %±1 (Water Temp.≤30°C), %±2 (Water Temp.>30°C)
- Q1≤ Q<Q2 Maximum Permissible Error
- Class 2 Water Meters; % ± 5 | Class 1 Water Meters; % ± 3



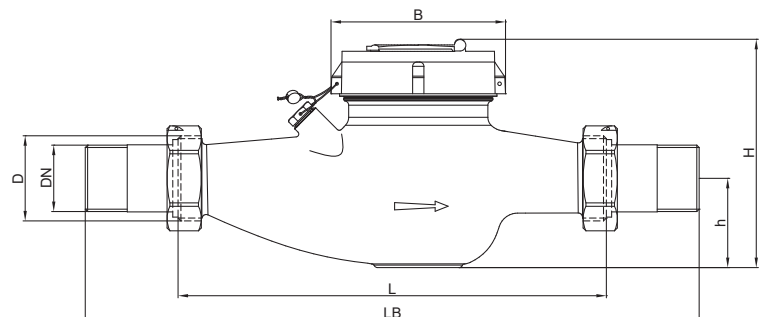
PERFORMANCE DATA

Overload Flowrate	Q4	m ³ /h	20
Permanent Flowrate	Q3	m ³ /h	16
Transitional Flowrate	Q2	m ³ /h	0,16
Minimum Flowrate	Q1	m ³ /h	0,10
Q3/Q1 (MI-001 OIML R49)	-		≤160
Mounting on the network	-		Horizontal
Maximum Registration Cap.	m ³		9999 / 99999 / 99999,99 / 99999,999
Initial Flow	Qi	l/h	30
Maximum Working Pressure	bar		16
Maximum Working Temp.	°C		50
Pressure Loss Class	bar		0,63
Smallest Reading Resolution	m ³ /h		0,00005
Class	-		Class 1 / Class 2



DIMENSIONS

Nominal diameter	DN	40	mm
Connecting diameter	D	G2	B
Total overall meter height	H	160	mm
Axis height	h	63	mm
Length	L	300	mm
Width	B	122	mm
Length with connections	LB	429	mm
Unit weight		3,95	kg
Package Weight (without connect)		17,55	kg
Package Weight (with connect)		21,51	kg
Quantity per package		4	pcs
Package dimensions		34x37x36,5	cm



"Due to continuous development of our products, we reserve the right to modify our product design or construction without prior notice."