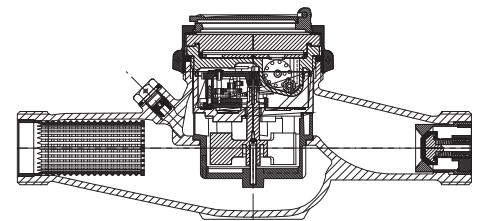


BAYLAN

WATER METERS

SD-7

Multi jet Semi-Dry type Water Meter



GENERAL

- MID Certified
- Multi jet working principle assures a long service time
- Low pressure loss, high sensitivity at initial flow
- Suitable for potable water
- Propylene glycol protected register
- Special glass with high resistance to pressure and impact
- Non return valve
- Electrostatic painted body made of corrosion resistant brass
- Available for optical reading
- AMR reading features are optional
- 3 years of warranty • Almost no maintenance
- Suitable for cold water up to 50°C
- Service and spare parts available for 10 years
- IP68 Protected
- Environmental Classes

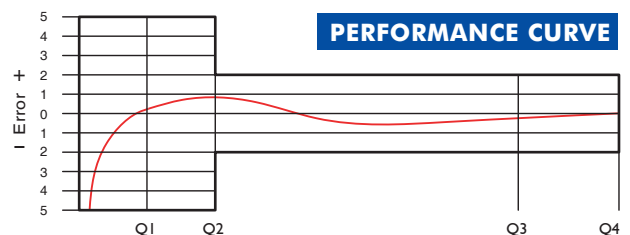
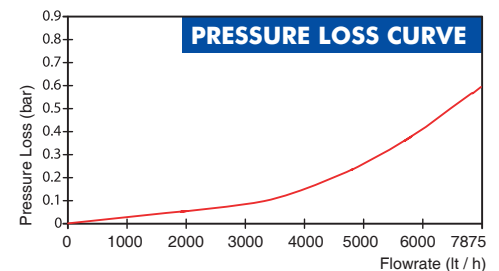
Climatic : -10°C/+55°C | Mechanic: M1/O | Elektromagnetic: E2

- Q2 ≤ Q ≤ Q4 Maximum Permissible Error
Class 2 Water Meters; %±2 (Water Temp. ≤ 30°C), %±3 (Water Temp. > 30°C)
Class 1 Water Meters; %±1 (Water Temp. ≤ 30°C), %±2 (Water Temp. > 30°C)
- Q1 ≤ Q < Q2 Maximum Permissible Error
Class 2 Water Meters; % ± 5 | Class 1 Water Meters; % ± 3



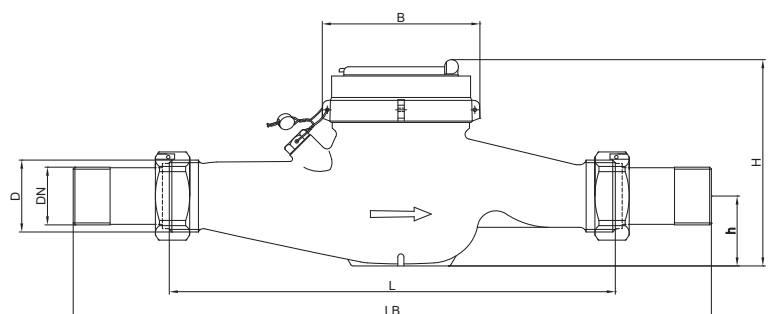
PERFORMANCE DATA

Overload Flowrate	Q4	m ³ /h	7,875
Permanent Flowrate	Q3	m ³ /h	6,3
Transitional Flowrate	Q2	m ³ /h	0,0504
Minimum Flowrate	Q1	m ³ /h	0,0315
Q3/Q1 (MI-001 OIML R49)	-		≤200
Mounting on the network	-		Horizontal
Maximum Registration Cap.	m ³		9999 / 99999 / 99999,99 / 99999,999
Initial Flow	Qi	l/h	9
Maximum Working Pressure	bar		16
Maximum Working Temp.	°C		50
Pressure Loss Class	bar		0,63
Smallest Reading Resolution	m ³ /h		0,00005
Class	-		Class 1 / Class 2



DIMENSIONS

Nominal diameter	DN	25	mm
Connecting diameter	D	G1 1/4	B
Total overall meter height	H	124	mm
Axis height	h	40,8	mm
Length	L	260	mm
Width	B	91,9	mm
Length with connections	LB	378	mm
Unit weight		1,93	kg
Package Weight (without connect)		20,39	kg
Package Weight (with connect)		24,79	kg
Quantity per package		10	pcs
Package dimensions		26x52x30	cm



"Due to continuous development of our products, we reserve the right to modify our product design or construction without prior notice."