

BAYLAN

WATER METERS

Pulse Output and RF Reading Module

GENERAL

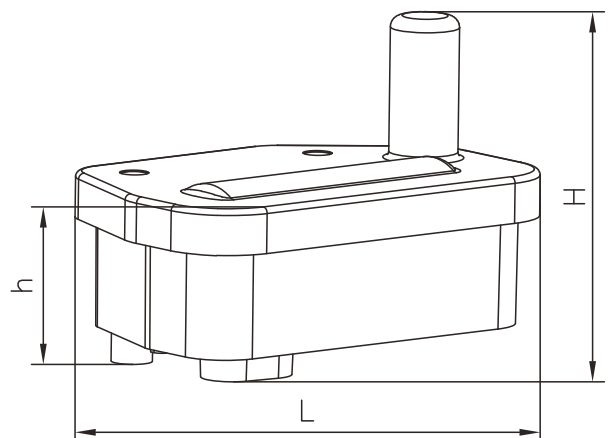
- Automatic meter reading with RF (Radio Frequency)
- EN13757-3 wM-Bus T1 Mode 868 Mhz ISM Band protocol support
- ETSI EN 300 220-2 V3.2.1 (2018-06) compliant
- By creating databases, you can easily control consumption values
- To secure water authority from any risk while cutting customers water
- Automatic meter reading, no need to enter the house
- Great saving from time, fast and reliable solution
- Detects illegal interventions and records
- With inductive sensor full protection against magnetic
- Electronic flow detection
- Optocoupler protected pulse output
- To get past data with magnetic trigger interface
- Real time clock
- Easy assembly • Internal battery
- Almost no maintenance • 3 years of warranty
- 10 years of spare parts and service

PERFORMANCE DATA

Working Frequency	:	868.03 Mhz
Modulation	:	GFSK
Transmitter output power	:	+10dB
Communication Speed	:	1.2-250 kbps
Communication Type	:	One way
Effective Distance (outside)	:	400m
Energy	:	3.6 V DC lithium battery
Battery life	:	Up to 15 years*
Working Temperature	:	-20/+70°C
Weight	:	80 Gr.
Protection class	:	IP68

DIMENSIONS

Total Height	H	60	mm
Axis Height	h	36	mm
Length	L	78	mm



* Standard conditions of use and temperature. Theoretical life, with no guarantee.

"Due to continuous development of our products, we reserve the right to modify our product design or construction without prior notice."