

BAYLAN

WATER METERS

KY-1

Single jet Wet type Water Meter



GENERAL

- MID Certified
- Single jet design assures very high sensitivity even at low flows
- Available for optical reading
- Special glass with high resistance to pressure and impact
- Suitable for potable water
- 360° rotating lid
- Electrostatic painted body made of corrosion resistant brass
- 3 years of warranty
- Suitable for cold water up to 50°C
- Almost no maintenance
- Service and spare parts available for 10 years
- Environmental Classes

Climatic : -10°C/+55°C | Mechanic: M1/O | Elektromagnetic: E2

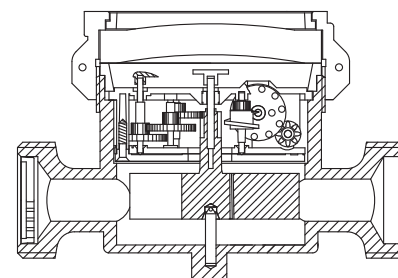
• $Q_2 \leq Q \leq Q_4$ Maximum Permissible Error

Class 2 Water Meters; $\% \pm 2$ (Water Temp. $\leq 30^\circ\text{C}$), $\% \pm 3$ (Water Temp. $> 30^\circ\text{C}$)

Class 1 Water Meters; $\% \pm 1$ (Water Temp. $\leq 30^\circ\text{C}$), $\% \pm 2$ (Water Temp. $> 30^\circ\text{C}$)

• $Q_1 \leq Q < Q_2$ Maximum Permissible Error

Class 2 Water Meters; $\% \pm 5$ | Class 1 Water Meters; $\% \pm 3$

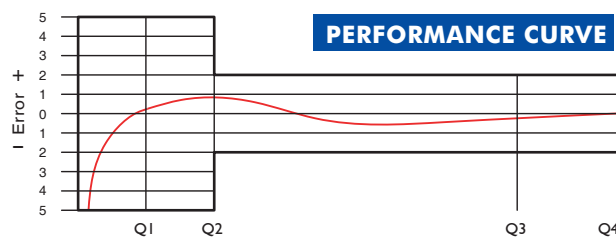


PERFORMANCE DATA

Overload Flowrate	Q4	m ³ /h	3,125	
Permanent Flowrate	Q3	m ³ /h	2,5	
Transitional Flowrate	Q2	m ³ /h	0,0126	0,08
Minimum Flowrate	Q1	m ³ /h	0,008	0,05
Q3/Q1 (MI-001 OIML R49)	-		≤ 315	≤ 50
Mounting on the network	-		H	V
Initial Flow	Qi	l/h	5	
Maximum Working Pressure		bar	16	
Maximum Working Temperature		°C	50	
Pressure Loss Class		bar	0,63	
Maximum Registration Capacity		m ³	9999 / 99999	
Smallest Reading Resolution		m ³ /h	0,00005	
Class			-	Class 1/Class 2
Quantity per package			-	10
Package dimensions		cm	21x42,5x16,5	

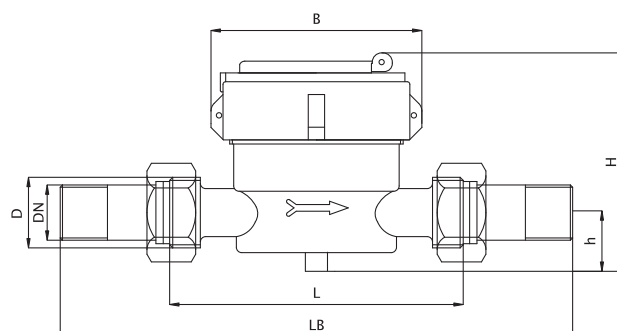
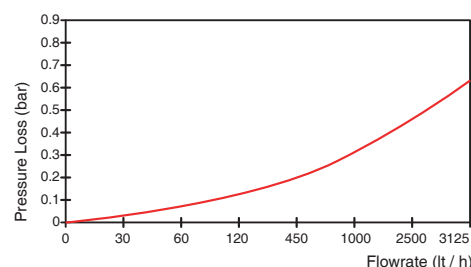
DIMENSIONS

Nominal diameter	DN	15	20	20	mm
Connecting diameter	D	G 3/4	G 1	G 1	B
Total overall meter height	H	77	77	77	mm
Axis height	h	17	17	17	mm
Width	B	80	80	80	mm
Length	L	110 115	110 115	130	mm
Length with connections	LB	190 195	190 195	210	mm
Unit weight		0,60/0,66	0,61/0,67	0,65	kg
Package Weight (without con.)		7,00	7,08	7,20	kg
Package Weight (with con.)		8,60	8,98	9,10	kg



PERFORMANCE CURVE

PRESSURE LOSS CURVE



"Due to continuous development of our products, we reserve the right to modify our product design or construction without prior notice."