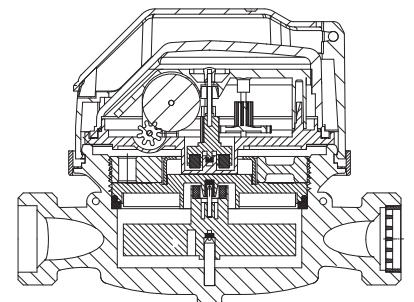


BAYLAN

WATER METERS

KK-29P

Single jet Dry type Water Meter



GENERAL

- MID Certified
- Single jet design assures very high sensitivity even at low flows
- Suitable for potable water
- Composite body with high resistance to pressure and impacts
- Protection against external magnetic fields
- Available for optical reading
- AMR reading features are optional
- 3 years of warranty • 359° rotating dial
- 8 roller register • Vacuumed mechanism
- Suitable for cold water up to 50°C • Almost no maintenance
- Service and spare parts available for 10 years
- IP68 Protected
- Environmental Classes

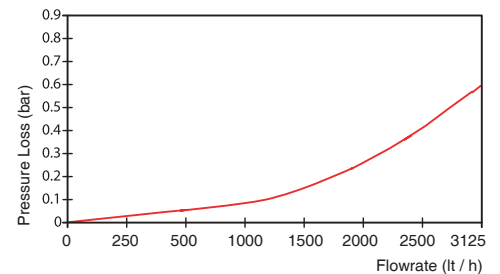
Climatic : -10°C/+55°C | Mechanic: M1/O | Elektromagnetic: E2

- Q2 ≤ Q ≤ Q4 Maximum Permissible Error
- Class 2 Water Meters; %±2 (Water Temp. ≤ 30°C), %±3 (Water Temp. > 30°C)
- Class 1 Water Meters; %±1 (Water Temp. ≤ 30°C), %±2 (Water Temp. > 30°C)
- Q1 ≤ Q < Q2 Maximum Permissible Error
- Class 2 Water Meters; % ± 5
- Class 1 Water Meters; % ± 3

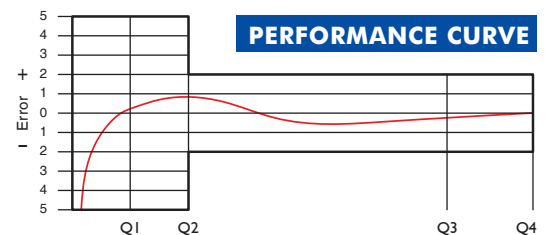
PERFORMANCE DATA

Overload Flowrate	Q4	m ³ /h	3,125	
Permanent Flowrate	Q3	m ³ /h	2,5	
Transitional Flowrate	Q2	m ³ /h	0,020	0,050
Minimum Flowrate	Q1	m ³ /h	0,0125	0,03125
Q3/Q1 (MI-001 OIML R49)	-		≤200	≤80
Mounting on the network	-		H	V
Maximum Registration Capacity	m ³	9999 / 99999 / 99999,99 / 99999,999		
Initial Flow	Qi	l/h	5	
Maximum Working Pressure	bar	16		
Maximum Working Temperature	°C	50		
Pressure Loss Class	bar	0,63		
Smallest Reading Resolution	m ³ /h	0,00005		
Class	-	Class 1/Class 2		
Quantity per package	-	10		
Package dimensions	cm	21x43x17		

PRESSURE LOSS CURVE

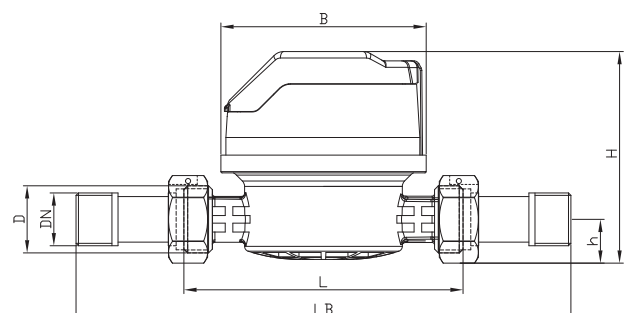


PERFORMANCE CURVE



DIMENSIONS

Nominal diameter	DN	15	mm
Connecting diameter	D	G 3/4	B
Total overall meter height	H	82	mm
Axis height	h	15,8	mm
Length	L	110 115	mm
Length with connections	LB	190 195	mm
Width	B	81	mm
Unit weight		0,30	kg
Package Weight (without connect)		4,00	kg
Package Weight (with connect)		6,00	kg
Package dimensions		21x43x17	cm



"Due to continuous development of our products, we reserve the right to modify our product design or construction without prior notice."