

BAYLAN

WATER METERS

KK-1

Single jet Dry type Water Meter



GENERAL

- MID Certified
- Single jet design assures very high sensitivity even at low flows
- Suitable for potable water
- Available for optical reading
- Pulse output and AMR reading features are optional
- Electrostatic painted body made of corrosion resistant brass
- Protection against external magnetic fields
- 3 years of warranty
- Wiper on the glass is optional
- Vacuumed mechanism
- 360° rotating lid
- Suitable for cold water up to 50°C
- Almost no maintenance
- Service and spare parts available for 10 years
- IP68 Protected
- Environmental Classes

Climatic : -10°C/+55°C | Mechanic: M1/O | Elektromagnetic: E2

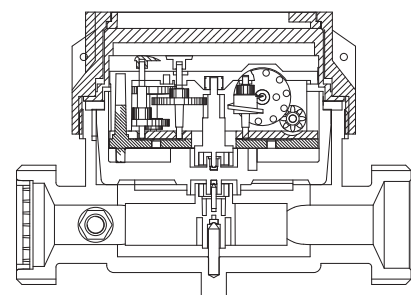
• Q2 ≤ Q ≤ Q4 Maximum Permissible Error

Class 2 Water Meters; %±2 (Water Temp. ≤ 30°C), %±3 (Water Temp. > 30°C)

Class 1 Water Meters; %±1 (Water Temp. ≤ 30°C), %±2 (Water Temp. > 30°C)

• Q1 ≤ Q < Q2 Maximum Permissible Error

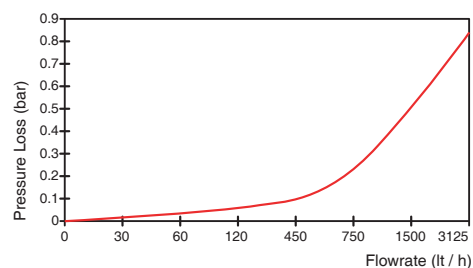
Class 2 Water Meters; % ± 5 | Class 1 Water Meters; % ± 3



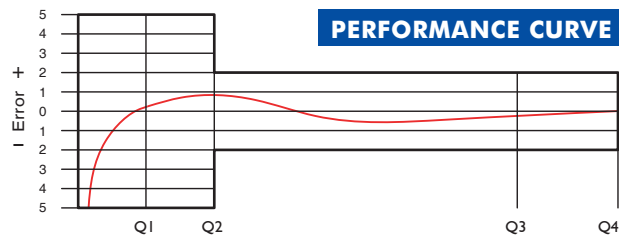
PERFORMANCE DATA

Overload Flowrate	Q4	m ³ /h	3,125	
Permanent Flowrate	Q3	m ³ /h	2,5	
Transitional Flowrate	Q2	m ³ /h	0,025	0,050
Minimum Flowrate	Q1	m ³ /h	0,0156	0,03125
Q3/Q1 (MI-001 OIML R49)	-		≤160	≤80
Mounting on the network	-		H	V
Maximum Registration Capacity	m ³	9999 / 99999 / 99999,99 / 99999,999		
Initial Flow	Qi	l/h	7	
Maximum Working Pressure	bar	16		
Maximum Working Temperature	°C	50		
Pressure Loss Class	bar	0,63		
Smallest Reading Resolution	m ³ /h	0,00005		
Class	-	Class 1/Class 2		
Quantity per package	-	10		
Package dimensions	cm	21x42,5x16,5		

PRESSURE LOSS CURVE

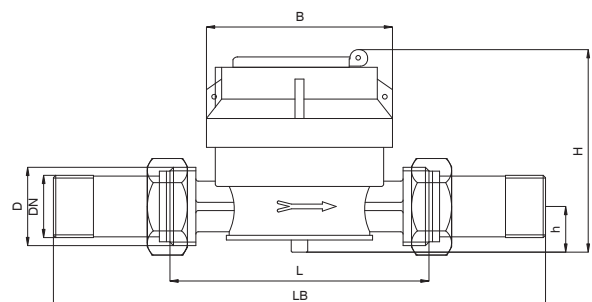


PERFORMANCE CURVE



DIMENSIONS

Nominal diameter	DN	15	20	mm
Connecting diameter	D	G 3/4	G 1	B
Total overall meter height	H	77	77	mm
Axis height	h	17	17	mm
Length	L	110/115	110/115/130	mm
Width	B	80	80	mm
Length with connections	LB	190/195	190/195/210	mm
Unit weight		0,59	0,64	kg
Package Weight (without connections)		6,60	7,08	kg
Package Weight (with connections)		8,20	8,98	kg



"Due to continuous development of our products, we reserve the right to modify our product design or construction without prior notice."