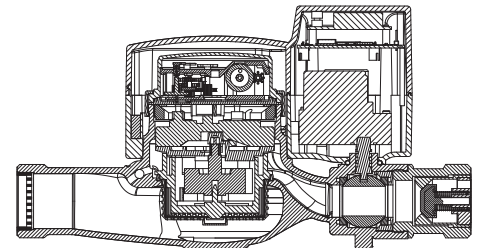


# BAYLAN

## WATER METERS

# AK-12S

## Remote Reading and Prepaid Hot Water Meters



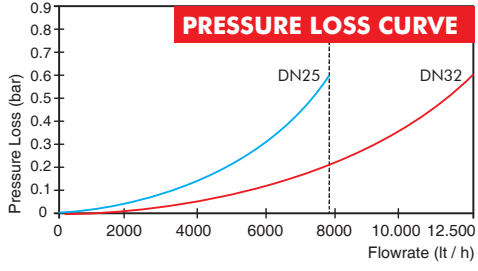
### GENERAL

- MID Certified
- Direct communication with central station through GPRS/GSM
- Radio Frequency automatic remote reading
- Open and close the valve from remote control center
- Contactless card usage ensures isolation against external affects
- Complete management of the water consumption
- Elimination of meter reading process • No meter dismantling because of the debts
- Setting up different tariffs • Suitable for potable water
- IP68 protected electronic circuit and mechanical meter
- Check valve disabling bi-directional water flow
- Sleeve security check and electronic sensor
- Battery life up to 10 years • LCD display with back light
- Suitable for cold water up to 90°C
- All spare parts available, wide range of service network
- Leakage control system, 3 years of warranty
- IP68 Protected

Max Permissible Error in Upper Flow Rates  $Q_2 \leq Q \leq Q_4$ :  
 $\pm 2\%$  ( $\leq 30^\circ\text{C}$ ),  $\pm 3\%$  ( $> 30^\circ\text{C}$ )  
 Max Permissible Error in Lower Flow Rates  $Q_1 \leq Q \leq Q_2$ :  $\pm 5\%$   
 Environmental Classes:  
 Climatic :  $-10^\circ\text{C}/+55^\circ\text{C}$  - Mechanic: M1/O - Electromagnetic: E2

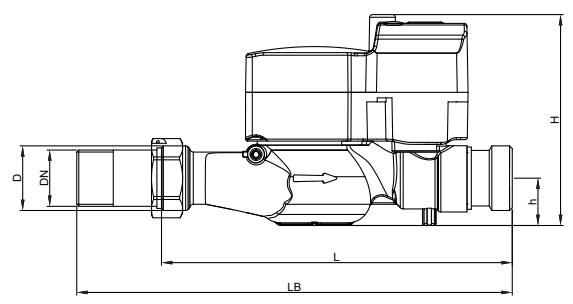
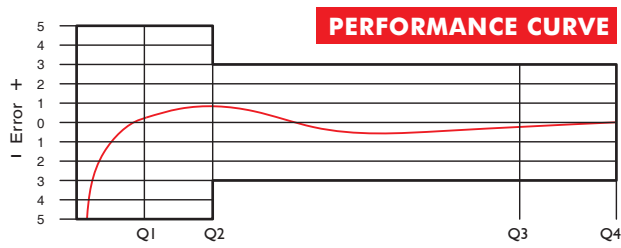
### PERFORMANCE DATA

Nominal diameter	DN	25	32
Overload Flowrate	Q4	m <sup>3</sup> /h 7,875	12,5
Permanent Flowrate	Q3	m <sup>3</sup> /h 6,3	10
Transitional Flowrate	Q2	m <sup>3</sup> /h 0,100	0,16
Minimum Flowrate	Q1	m <sup>3</sup> /h 0,063	0,10
Q3/Q1 (MI-001 OIML R49)	-	$\leq 100$	
Mounting on the network	-	H	
Maximum Registration Capacity	m <sup>3</sup>	99999	
Initial Flow	Qi	l/h	9
Maximum Working Pressure	bar	16	
Maximum Working Temperature	°C	90	
Pressure Loss Class	bar	0,63	
Smallest Reading Resolution	m <sup>3</sup>	0,00005	
Class	-	Class 2	
Quantity per package	-	5	



### DIMENSIONS

Nominal diameter	DN	25	32	mm
Connecting diameter	D	G1 1/4	G1 1/2	B
Total overall meter height	H	145	156	mm
Axis height	h	27	35	mm
Width	B	111,4	111,4	mm
Length	L	260	260	mm
Length with connections	LB	380	390	mm
LCD Screen Length		64x20	64x20	mm
LCD Screen Angle		30°	30°	mm
Unit weight		2,36	2,40	kg
Package Weight (without connec.)		12,56	12,80	kg
Package Weight (with connec.)		14,76	16,20	kg
Package dimensions		20x60x29	20x60x29	cm



"Due to continuous development of our products, we reserve the right to modify our product design or construction without prior notice."